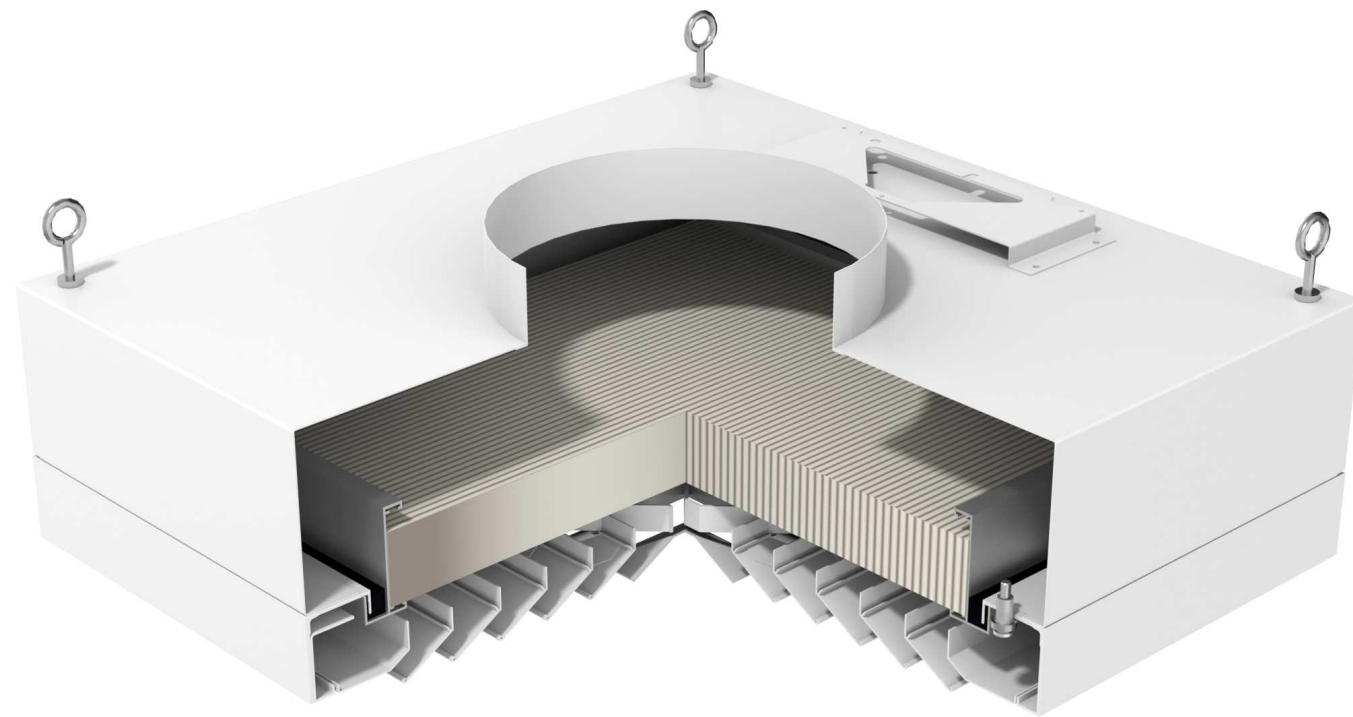


# AMDC

## LOUVERED FACE DIFFUSER WITH HEPA FILTER

### FEATURES:

- THE AMDC FEATURES A LOUVERED FACE THAT PROVIDES A HIGH INDUCTION AIRFLOW THAT PROJECTS IN A 4-WAY HORIZONTAL PATTERN FROM THE FACE OF THE DIFFUSER.
- ROOM-SIDE REPLACEABLE HEPA FILTER REMOVES 99.99% OF AIRBORNE PARTICULATE
- THE RAPID MIXING OF FILTERED SUPPLY AIR WITH THE ROOM AIR REDUCES PARTICLE CONCENTRATION AND IS IDEAL FOR CLEANROOMS.
- AEROSOL SAMPLE AND STATIC PRESSURE PORT AND OPTIONAL AEROSOL INJECTION PORT FACILITATE ROOM-SIDE AEROSOL CHALLENGE OF THE DIFFUSER



**PRICE** | **CRITICAL ENVIRONMENTS**

PROJECT:

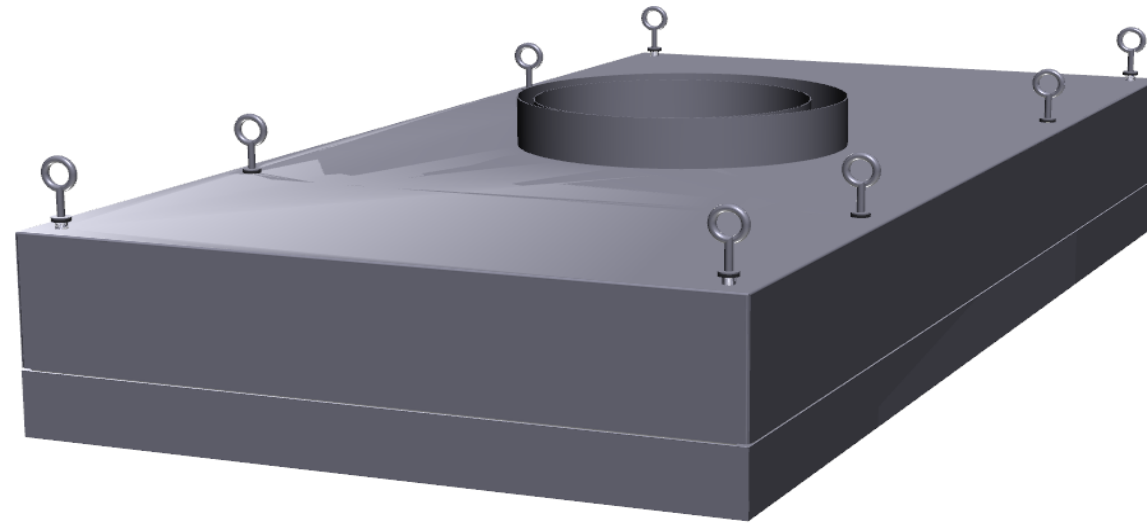
275298

Revision: 0

04-28-2023

**AMDC** <sup>360°</sup>

**LOUVERED FACE DIFFUSER WITH HEPA FILTER  
3D INTERACTIVE MODELS**



**PRODUCT CONFIGURATIONS**  
(CLICK BUTTONS TO TOGGLE VIEWS)

- USE THE SCROLL WHEEL TO ZOOM
- HOLD DOWN THE LEFT MOUSE BUTTON TO ROTATE
- HOLD DOWN CTRL AND LEFT MOUSE BUTTON TO MOVE

**PRICE** | **CRITICAL ENVIRONMENTS**

PROJECT:

275298

Revision: 0

04-28-2023

# AMDC

## LOUVERED FACE DIFFUSER WITH HEPA FILTER CONSTRUCTION DETAILS AND OPTIONS

### STANDARD CONSTRUCTION

- PLENUM SEALED WITH ADHESIVE SEALANT
- SPOT WELDED PLENUM SEAMS
- CONTINUOUSLY WELDED VERTICAL AND HORIZONTAL KNIFE EDGE SEAMS
- EXTRUDED ALUMINUM FILTER FRAME WITH URETHANE GEL
- STATIC PRESSURE AND AEROSOL SAMPLE PORT
- TWO STAINLESS STEEL RETAINER CABLES PER UNIT
- FACTORY TOLERANCE +/-  $\frac{1}{32}$ "

### PLENUM CONSTRUCTION

- ALUMINUM PLENUM, EXTRUDED KNIFE EDGE FRAME
- STAINLESS STEEL - 304 PLENUM & KNIFE EDGE FRAME

### FACE CONSTRUCTION

- ALUMINUM - ALUMINUM PANEL WITH RADIAL VANES

### PLENUM FINISH

- B12 STANDARD WHITE
- STAINLESS STEEL - 2B PLENUM & STAINLESS STEEL #4 KNIFE EDGE (OPTIONAL FINISHES AVAILABLE)

### FACE AND FRAME FINISH

- B12 STANDARD WHITE (OPTIONAL FINISHES AVAILABLE)

### INLET SIZES

- 8" (203) ROUND
- 10" (254) ROUND
- 12" (305) ROUND

### FILTER

- NO-FTR - NO FILTER
- HEPA - 99.99% (0.3 MICRON)
- ULPA - 99.9995% (0.12 MICRON)
- FRB - FILTER REPLACEMENT BAFFLE

### DAMPER (OPTIONAL)

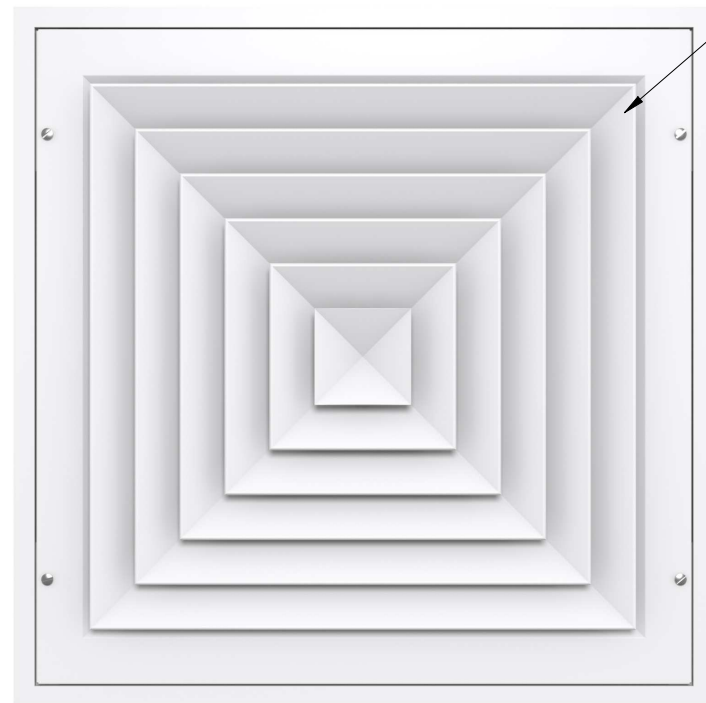
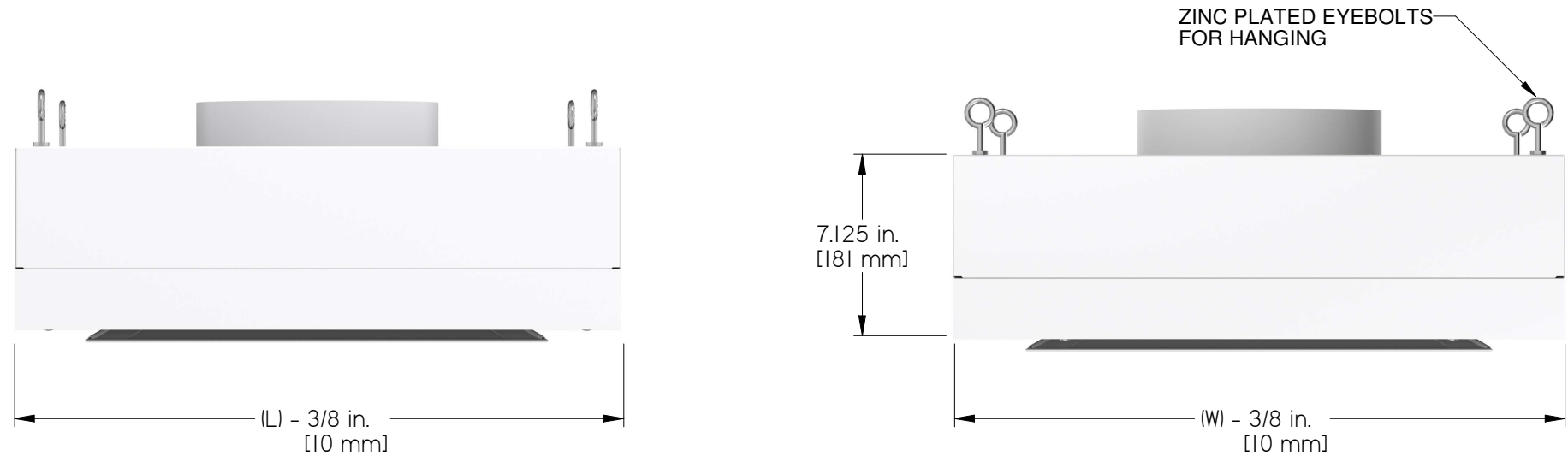
- VRC8EC - BUTTERFLY DAMPER, WHITE POWDER COATED STEEL BLADES
- VRC8ECSS - BUTTERFLY DAMPER, STAINLESS STEEL BLADES

### OPTIONS

- FL - FILTER INDICATOR LIGHT ON FACE
- FL+FBAS - FILTER INDICATOR LIGHT ON FACE AND FILTER BAS SIGNAL
- INJ - AEROSOL INJECTION SYSTEM WITH INLET EQUALIZATION BAFFLE
- CW - CONTINUOUSLY WELDED VERTICAL PLENUM SEAMS, SPOT WELDED INLET
- AFI-0.5 - 0.5" THICK ALUMINUM FOIL-BACKED FIBERGLASS EXTERNAL INSULATION
- AFI-1.5 - 1.5" THICK ALUMINUM FOIL BACKED FIBERGLASS EXTERNAL INSULATION
- PF - PROTECTIVE FILM

### NOTES:

- FILTER PACKAGED SEPERATELY FROM DIFFUSER HOUSING FOR JOB SITE INSTALLATION BY OTHERS
- PLENUM FACTORY SCANNED FOR LEAKS IN ACCORDANCE WITH IEST-RP-CC034
- LAY IN CEILING INSTALLATION ONLY. UNIT SIZE DESIGNED FOR 1" WIDE T-BAR OR 1.5" WIDE T-BAR WITH 1/8" NOMINAL SIZE INCREASE PER FOOT
- FOR SURFACE MOUNT INSTALLATION, ORDER SEPERATE HOSPITAL GRADE MOUNTING FRAME. SEE HGMF SUBMITTAL (271137)



INLET SIZES	IMPERIAL (in.)				METRIC (mm)			
	NOMINAL (W x L)	ACTUAL WIDTH	ACTUAL LENGTH	FILTER AREA (sq.ft.)	NOMINAL (W x L)	ACTUAL WIDTH	ACTUAL LENGTH	FILTER AREA (m <sup>2</sup> )
8,10,12	24 x 24	23.63	23.63	2.3	610 x 610	600	600	0.29
8,10,12	24 x 48	23.63	47.63	5.3	610 x 1220	600	1210	0.49

**PRICE** | **CRITICAL ENVIRONMENTS**

PROJECT:

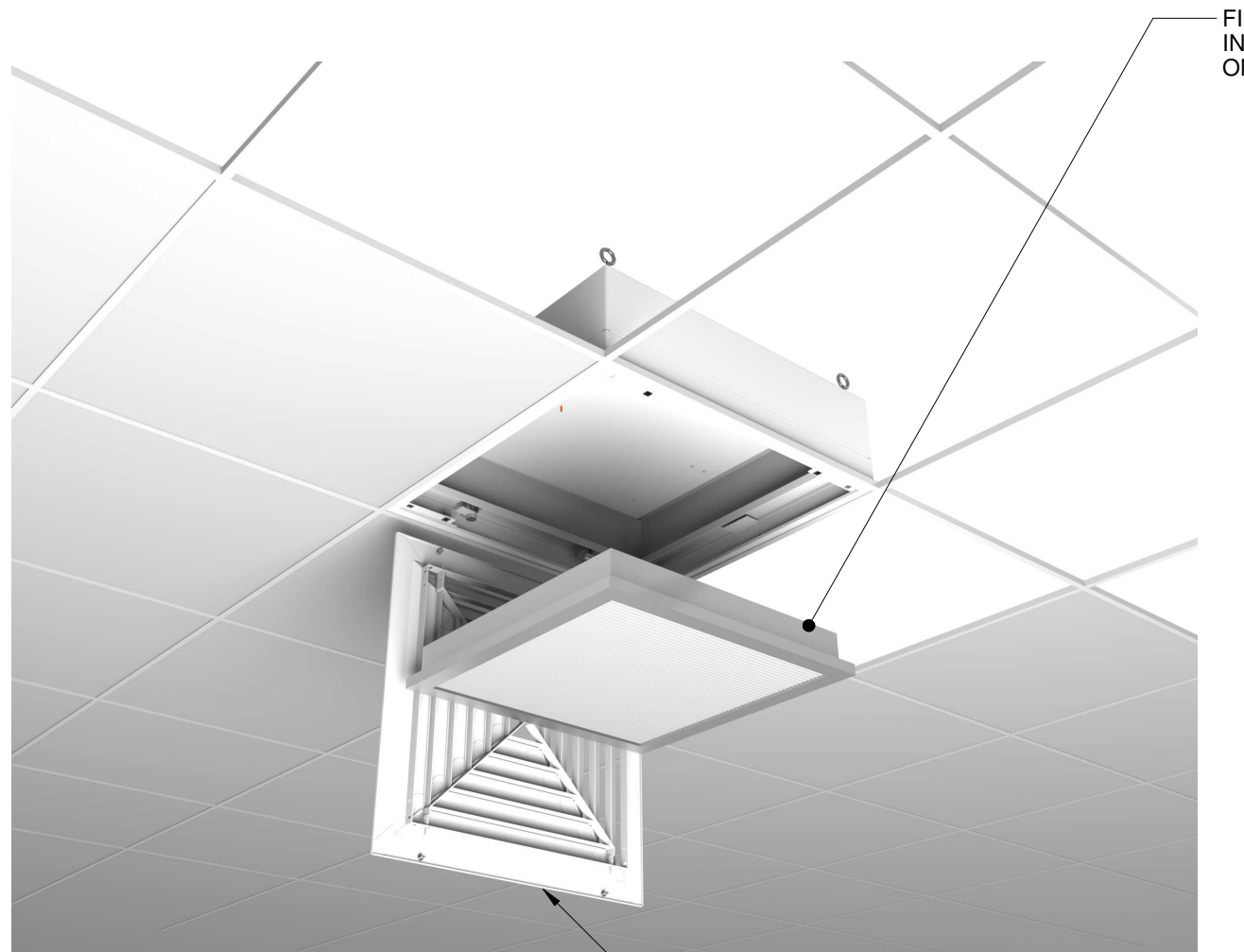
275298

Revision: 0

04-28-2023

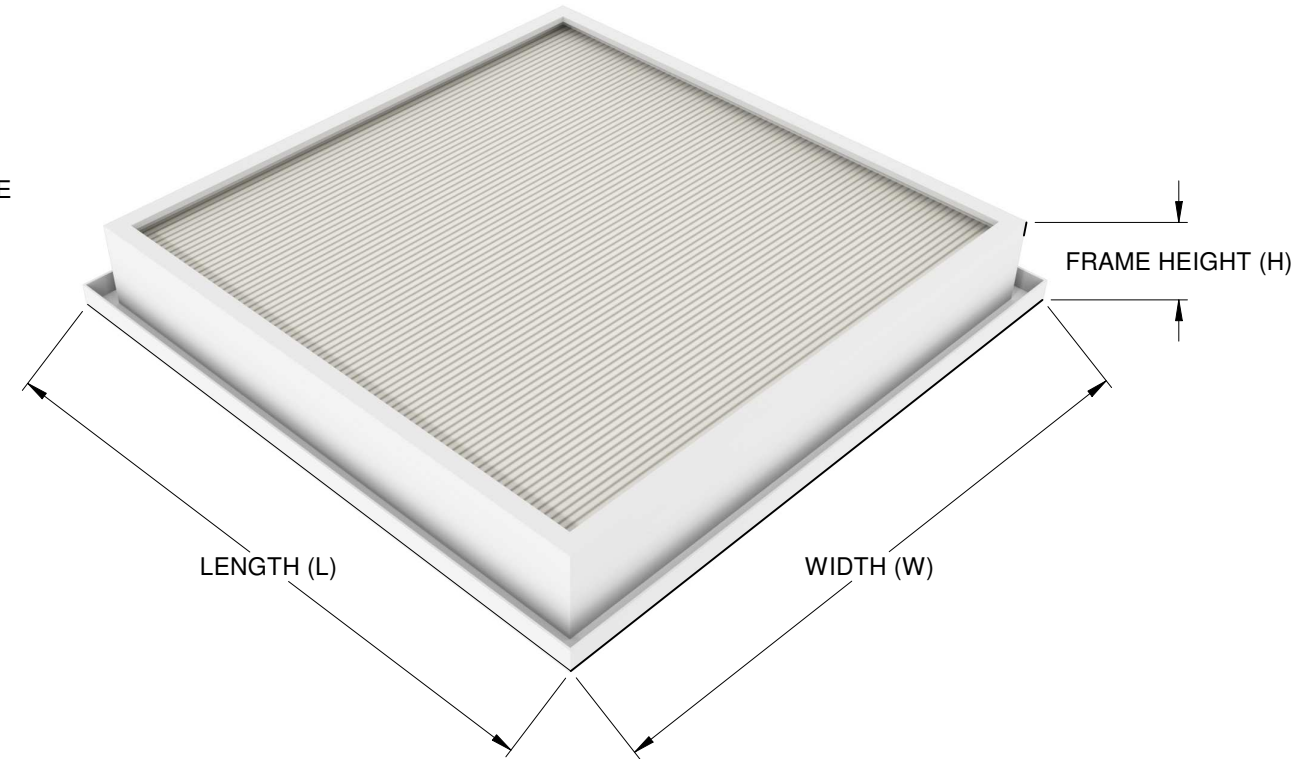
# AMDC

## LOUVERED FACE DIFFUSER WITH HEPA FILTER FILTER DETAILS



FILTER WITH GEL SEAL  
INSTALLS FROM THE ROOM SIDE  
ONTO THE AMDC KNIFE EDGE FRAME

DIFFUSER FACE SECURED WITH  
STAINLESS STEEL 1/4 TURN FASTENERS



IMPERIAL (in.)				METRIC (mm)			
NOMINAL UNIT SIZE (W x L)	ACTUAL FILTER SIZE			NOMINAL UNIT SIZE (W x L)	ACTUAL FILTER SIZE		
	WIDTH (W)	LENGTH (L)	HEIGHT (H)		WIDTH (W)	LENGTH (L)	HEIGHT (H)
24 x 24	20.69	20.69	2.88	610 x 610	526	526	73
24 x 48	20.69	44.69	2.88	610 x 1220	526	1135	73

### NOTES

- FILTER PLEATS RUN PARALLEL TO THE WIDTH (W) DIMENSION
- DIMENSIONS L & W TOLERANCES +/-  $\frac{1}{16}$ "
- FILTERS COME WITH GEL SEAL FILLED CHANNEL
- EXPANDED PAINTED WHITE SCREEN ON THE DOWNSTREAM SIDE
- FRAME DETAILS:
  - MATERIAL: ANODIZED EXTRUDED ALUMINUM
  - THICKNESS:  $\frac{1}{16}$ " (MINIMUM)
- HEPA FILTERS EFFICIENCY AND LEAK SCAN TESTED TO IEST RP CC001 TYPE J
- ULPA FILTERS EFFICIENCY AND LEAK SCAN TESTED TO IEST RP CC001 TYPE F
- FILTER PACKAGED SEPERATELY FROM DIFFUSER FOR JOB SITE INSTALLATION BY OTHERS

**PRICE** | **CRITICAL ENVIRONMENTS**

PROJECT:

275298

Revision: 0

04-28-2023

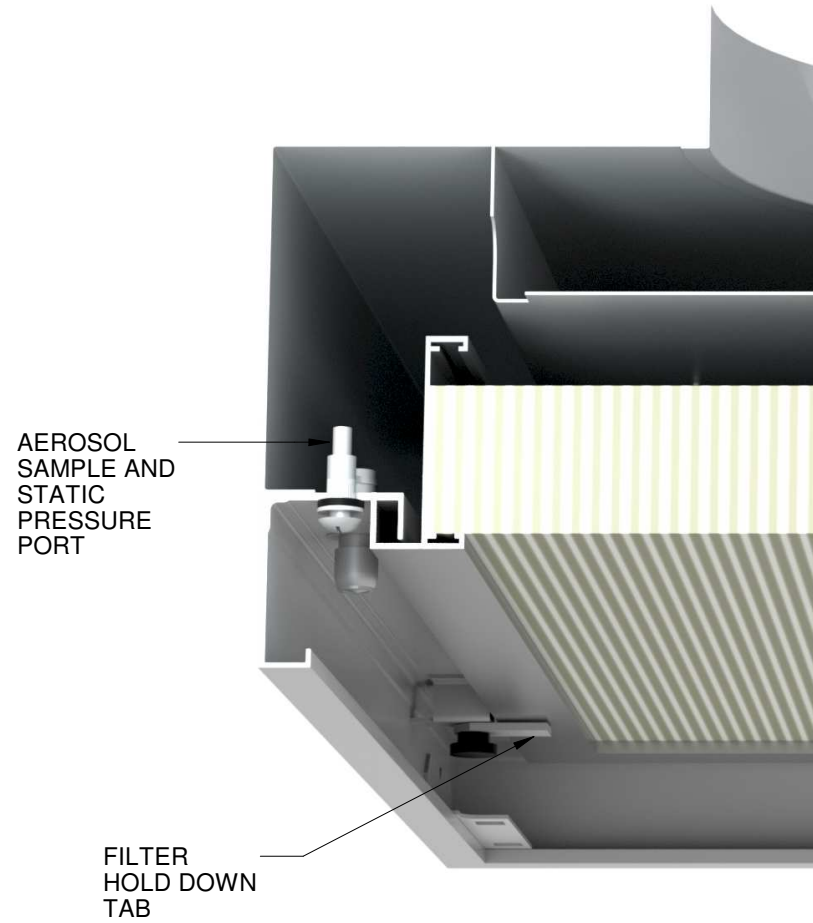
VISIT PRICE INDUSTRIES WEBSITE FOR FILTER INSTALLATION GUIDE



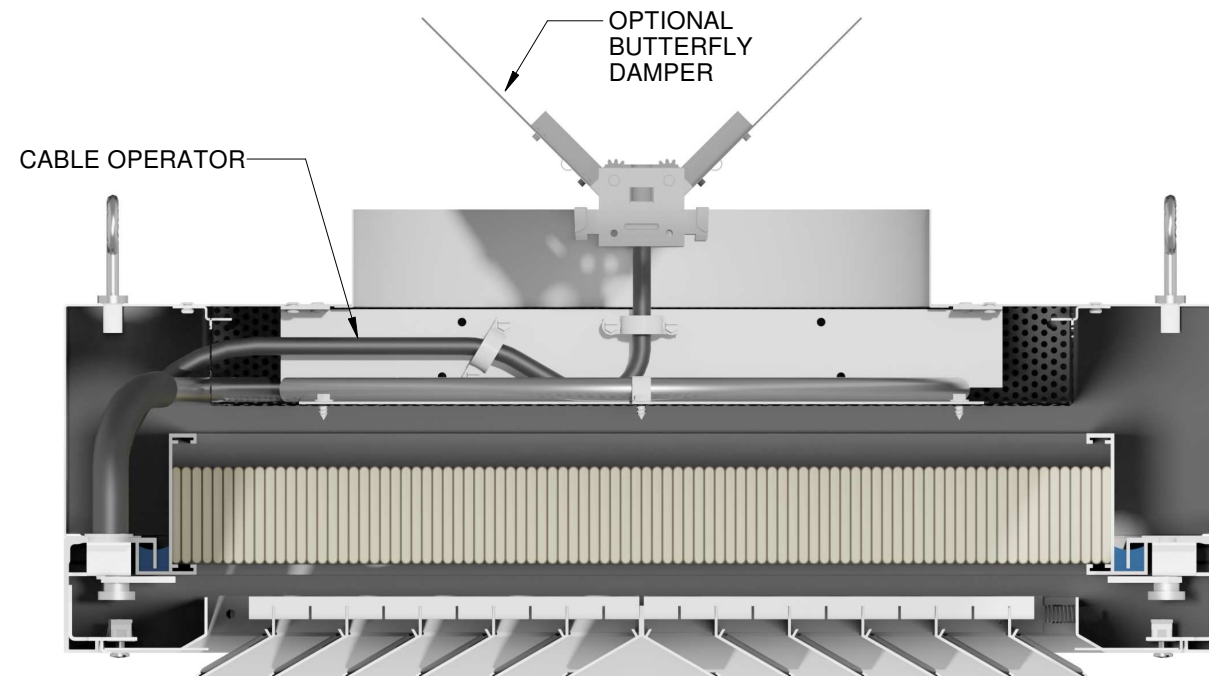
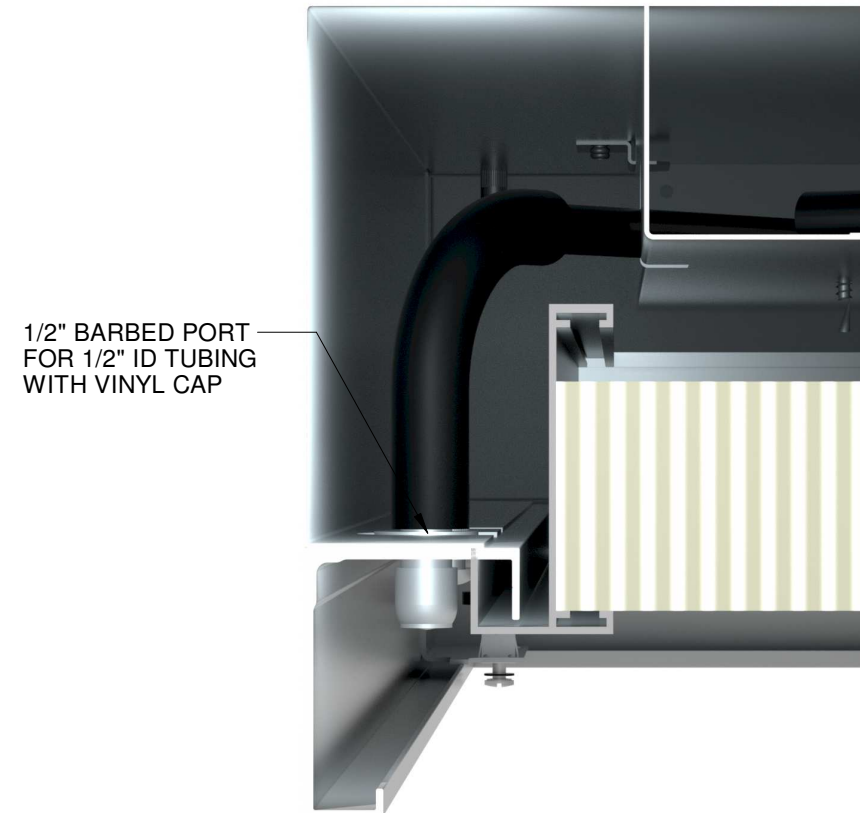
# AMDC

## LOUVERED FACE DIFFUSER WITH HEPA FILTER DETAIL VIEWS

AEROSOL/STATIC PORT  
DETAIL VIEW



INJ - AEROSOL INJECTION PORT  
DETAIL VIEW



**PRICE** | **CRITICAL ENVIRONMENTS**

PROJECT:

275298

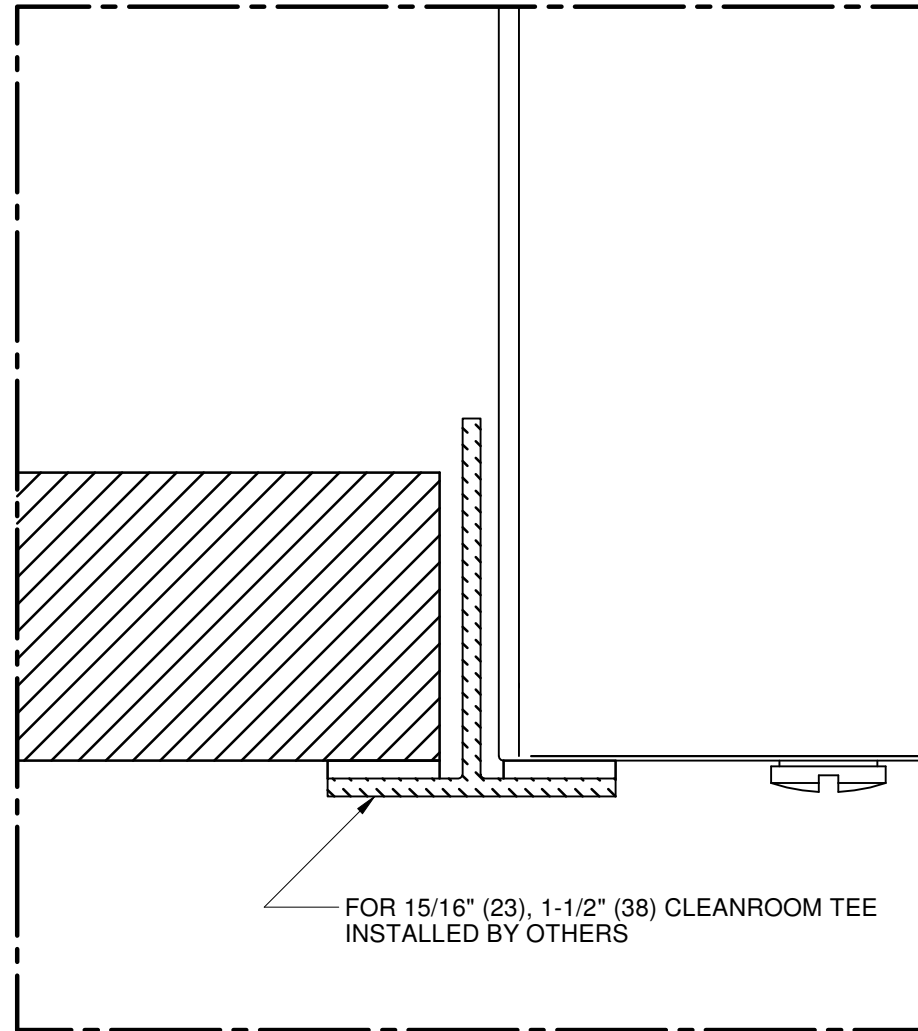
Revision: 0

04-28-2023

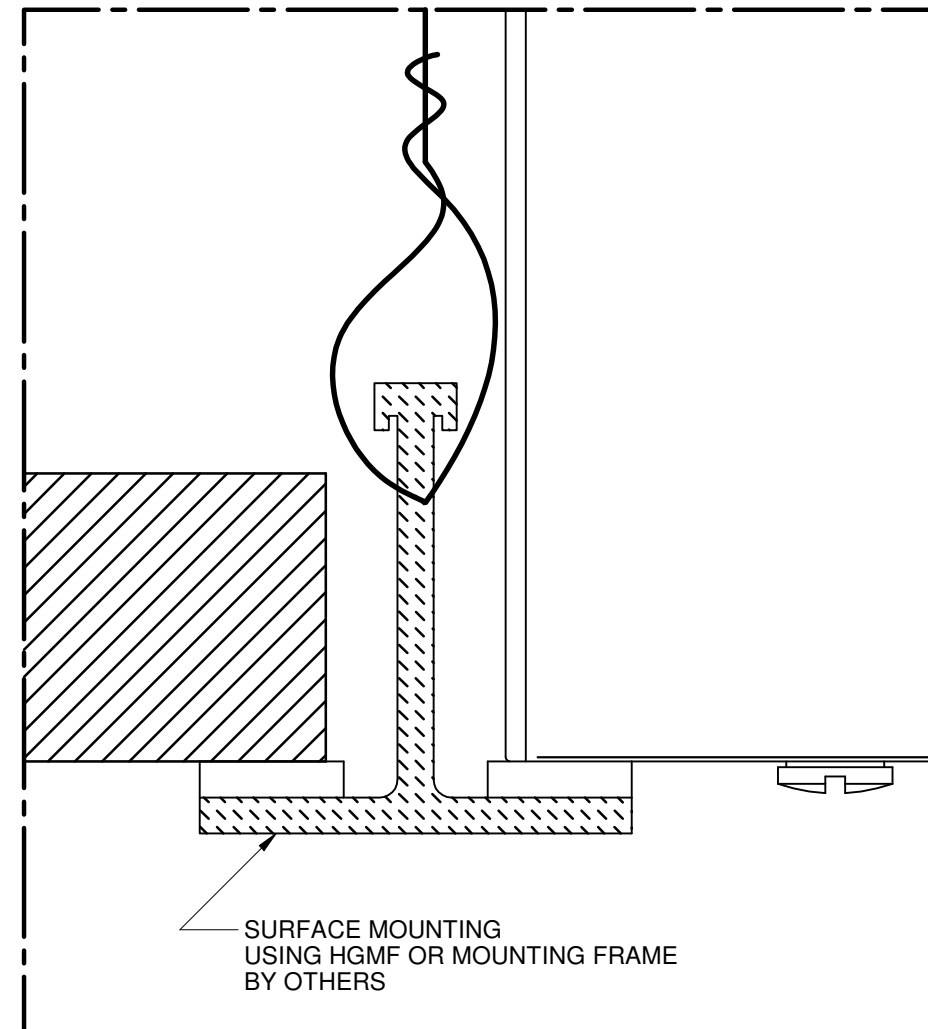
# AMDC

## LOUVERED FACE DIFFUSER WITH HEPA FILTER MOUNTING DETAILS

### T-BAR MOUNTING



### SURFACE MOUNTING



#### NOTES:

- LAY IN CEILING INSTALLATION ONLY. UNIT SIZE DESIGNED FOR 1" WIDE T-BAR OR 1.5" WIDE T-BAR.
- FOR SURFACE MOUNT INSTALLATION ORDER SEPARATE HOSPITAL GRADE MOUNTING FRAME.

**PRICE** | **CRITICAL ENVIRONMENTS**

PROJECT:

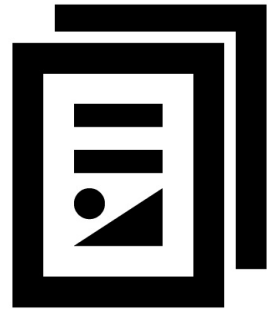
275298

Revision: 0

04-28-2023

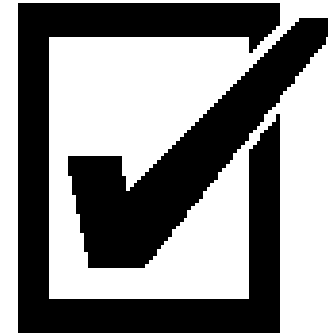
# AMDC

## LOUVERED FACE DIFFUSER WITH HEPA FILTER SUPPORTING CONTENT



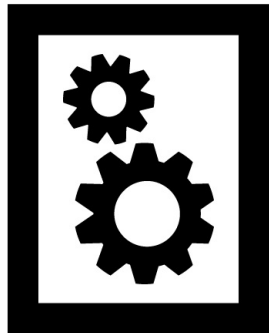
### CATALOG / PERFORMANCE

- AMDC LOUVERED FACE DIFFUSER WITH HEPA FILTER CATALOG
- AMDC LOUVERED FACE DIFFUSER WITH HEPA FILTER PERFORMANCE DATA
- AMDC LOUVERED FACE DIFFUSER WITH HEPA FILTER PERFORMANCE DATA (METRIC)



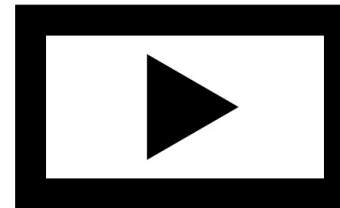
### SUBMITTALS

- FTR REPLACEMENT FILTER SUBMITTAL
- HGMF HOSPITAL GRADE MOUNTING FRAME SUBMITTAL



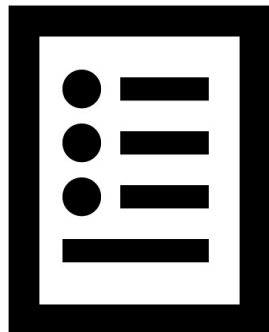
### MANUALS

- CRITICAL ENVIRONMENTS DIFFUSER INSTALLATION MANUAL
- FTR ROOM-SIDE REPLACEABLE FILTER (RSR) QUICK START GUIDE
- INJ AEROSOL INJECTION PORT USER MANUAL
- INJ AERSOL INJECTION PORT INSTALLATION MANUAL
- LEDK FILTER STATUS INDICATOR INSTALLATION MANUAL



### VIDEOS

- FILTER TESTING & AEROSOL INJECTION



### SPECIFICATIONS

- AMDC LOUVERED FACE DIFFUSER WITH HEPA FILTER SPECIFICATION



FOR MORE INFORMATION VISIT [PRICEINDUSTRIES.COM](https://www.priceindustries.com)



PROJECT:

275298

Revision: 0

04-28-2023